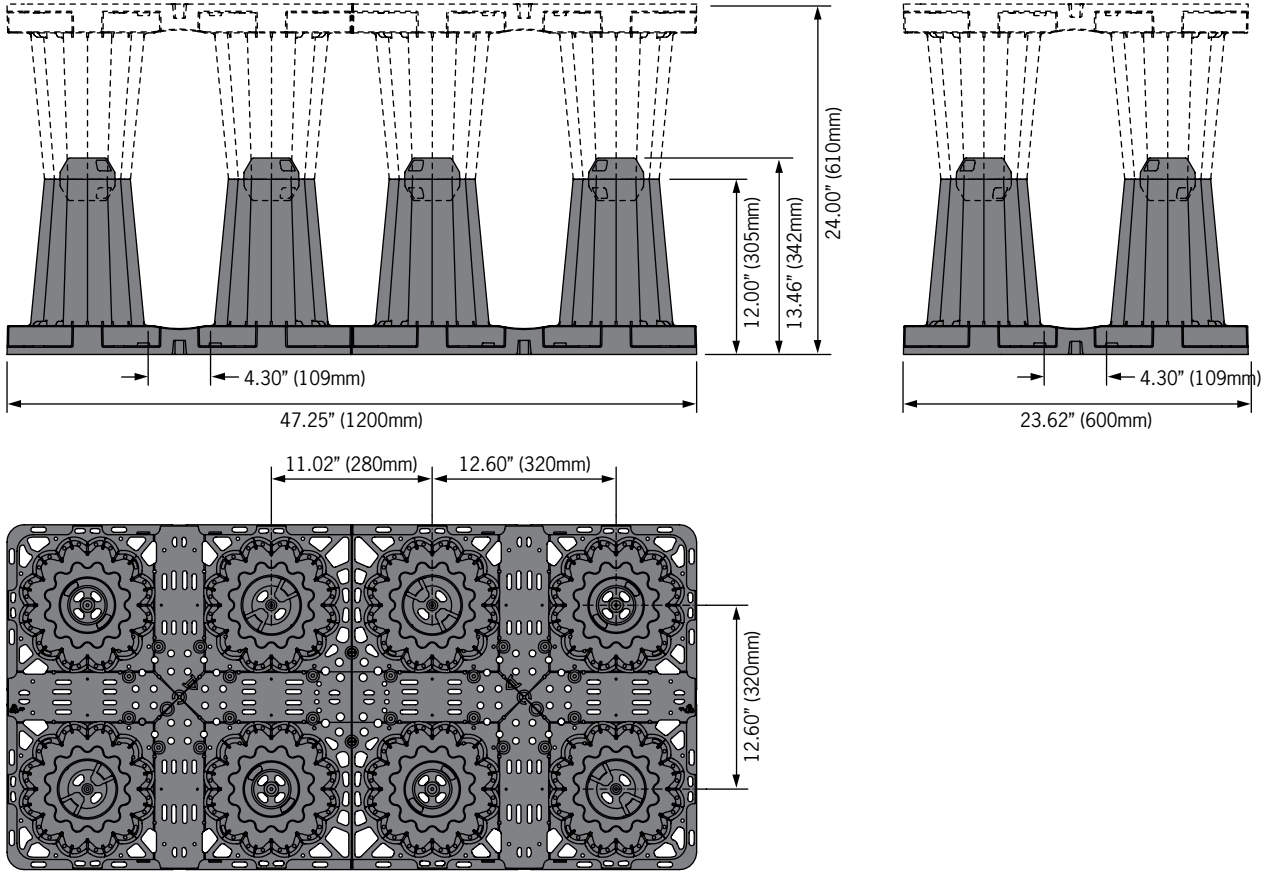


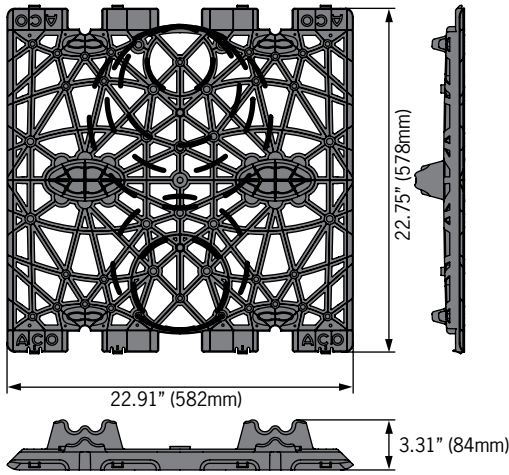
ACO STORMBRIX

Stormwater Detention/Infiltration/Retention System

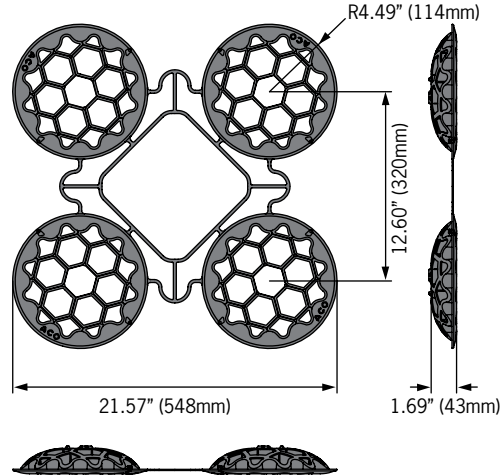
Tank body cell



Side wall

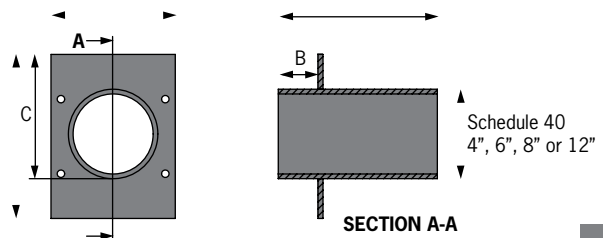


Cover plate



Pipe connector with flange

	B	C	H	W	L
	inches (mm)				
Sch 40 - 4"	2.00 (51)	6.25 (159)	8.25 (210)	6.25 (159)	8.00 (203)
Sch 40 - 6"	2.00 (51)	8.25 (210)	10.25 (260)	10.25 (260)	8.00 (203)
Sch 40 - 8"	2.00 (51)	9.63 (245)	11.50 (292)	11.63 (295)	10.00 (254)
Sch 40 - 12"	1.50 (38)	15.00 (381)	17.25 (438)	17.75 (450)	9.50 (241)



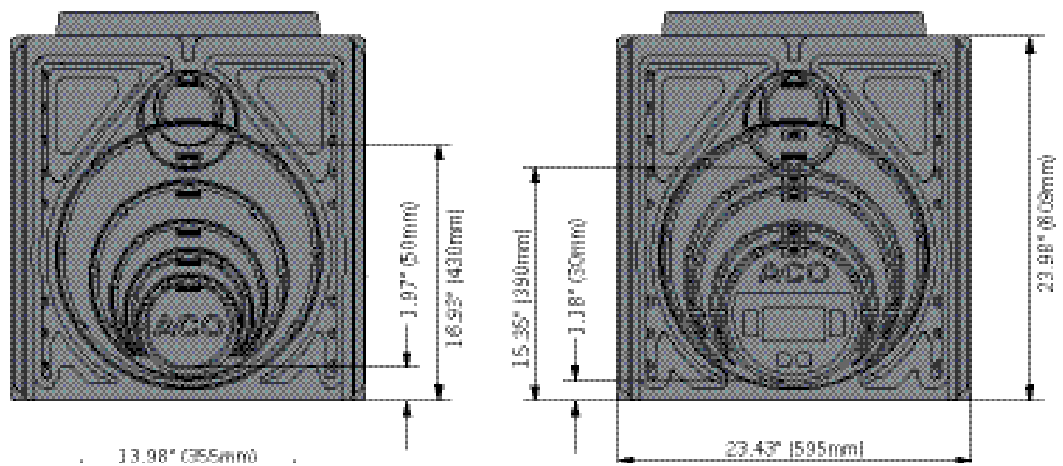
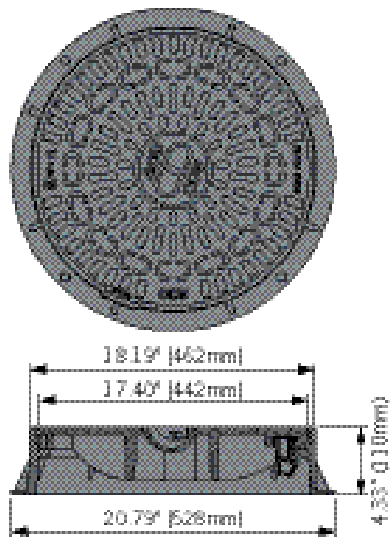
ACO Specification Information

ACO STORMBRIX

Stormwater Detention/Infiltration/Retention System

Access chamber - body, shaft and cover

ACO Specification Information



Inspection shaft and cover

ACO Specification Information

STORMBRIXX - Stormwater Detention/Infiltration/Retention

ACO Specification Information

Parts Table

	Dimensions			Weight lbs	Part No.
	Length in (mm)	Width in (mm)	Depth in (mm)		
StormBrixx tank body	47.24 (1200)	23.62 (600)	13.46 (342)	22.0	314020
StormBrixx side wall	22.91 (582)	23.11 (587)	2.16 (55)	3.5	314021
StormBrixx top cover	21.65 (550)	21.65 (550)	1.69 (43)	1.8	314022
Layer connectors	3.94 (100)	1.57 (40)	1.81 (46)	0.2	314023
Pipe connection flange - 4" Sch 40	-	-	-	0.9	93145
Pipe connection flange - 6" Sch 40	-	-	-	1.5	93146
Pipe connection flange - 8" Sch 40	-	-	-	2.9	93147
Pipe connection flange - 12" Sch 40	-	-	-	7.3	93148
Access chamber - body	23.39 (594)	23.39 (594)	24.02 (610)	70.4	27034
Access chamber - shaft	-	Ø 17.72 (450)	-	5.7	314038
Access chamber ductile iron cover (40 ton load rating)	-	Ø 20.79 (528)	4.33 (110)	83.6	314043
Inspection point shaft (with flange)	-	Ø 8.86 (225)	7.87 (200)	5.5	27018
Inspection point ductile iron cover (40 ton load rating)	16.14 (410)	16.14 (410)	7.09 (180)	114.4	314045

Specifications

General

The storm water Detention*/Infiltration*/Retention* system shall be ACO Stormbrixx as manufactured by ACO, Inc.

Materials

The tank body shall be manufactured from high density polyethylene (HDPE) and have minimum properties as follows:

Tensile impact strength: 152 ft-lb/in²

Tensile strength, ultimate: 3,480 psi

Water absorption 0.01%

Frost proof, salt proof and fuels and oils resistant

The stormwater tank shall provide an average 95% open area¹, holding up to 110.17¹ net gallons per cell (2 tank bodies assembled) and offer full access to all areas and levels for maintenance.

Geomembranes/Geotextiles

The StormBrixx system shall be wrapped in appropriate permeable geotextile* or impermeable geomembrane and protection fleece* (supplied by others) as recommended by project design engineer.

Accessories

The storm water system shall be used in conjunction with inspection shaft**/access chamber**. See separate Spec Info sheets for further details.

Installation

Storm water system shall be installed in strict accordance with the manufacturer's installation instructions and recommendations.

* Choose one /** Choose none, one or more

¹ Configuration and use of side/top panels will marginally impact these figures

ACO, Inc.

Northeast Sales Office

9470 Pinecone Drive
Mentor, OH 44060
Tel: (440) 639-7230
Toll free: (800) 543-4764
Fax: (440) 639-7235

West Sales Office

825 W. Beechcraft St.
Casa Grande, AZ 85122
Tel: (520) 421-9988
Toll Free: (888) 490-9552
Fax: (520) 421-9899

Southeast Sales Office

4211 Pleasant Road
Fort Mill, SC 29708
Toll free: (800) 543-4764
Fax: (803) 802-1063

Follow us on



Electronic Contact:

info@acousa.com
www.acousa.com

